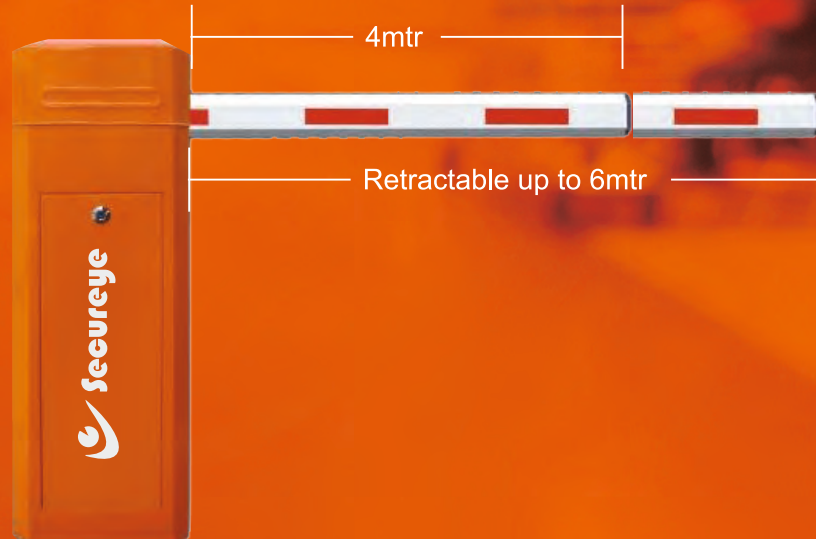


Automatic Boom Barrier

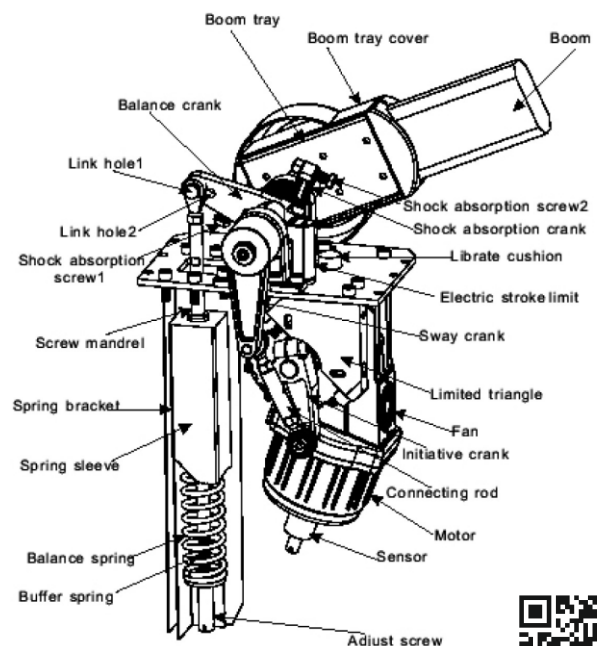


S-BB100

- Adopt crank connecting rod mechanism driving, reduce the mechanical failure, low noise, no pollution, no need to maintain.
- Remote control distance up to 10 ~ 20 meters, can control way of the brake switch form at any time, ensure the channel unimpeded
- The balance of the special institutions, always cover up the vertical rod, rod level, and smooth, it can adjustment length according to the free brake rod.
- Remote control more convenient ,can open and stop at any time at special circumstances .
- Can be an external manual control button line stops, on, off in case of power failure.
- Support external vehicle detector, higher sensitivity and more stable
- Service life of more than 3.5 million times, chassis adopts steel treated by a special process, the case of imported powder spraying, uv radiation, the sun is not easy to change color.

Key Features

- Maximum Boom Length up to 6mtr (With Retractable Feature)
- Aluminium Boom in 75/80mm OD
- Opening Time: 3-6 Second
- Power Supply: 230V
- With IP55 protection grade
- Duty Cycle 100%
- Operating Temp:-10°C to +60°C
- Colour RAL2002



Specification

Specification

S-BB100

Boom Size	Up to 6Mtr (With Retractable Feature)
Frequency	50/60Hz
Net Weight	60KG (Approx)
Open Time	3 ~ 6 sec
Motor	Electro Mechanical
Voltage	220v \pm 10%
Controller	Microprocessor Based
Motor Load	80 ~ 90w
Body	Weather Proof with anti corrosion treatment
Other Accessories	Operating Switch & Boom Stand / Remote
Boom Motion Control	By Balanced Spring System
Boom Movement	Left / Right side (Inter Changeable)
IP Grade	IP55
Remote Distance	10 ~ 20mtr
Optional	Access Control System, RF Reader, Photo Cell

